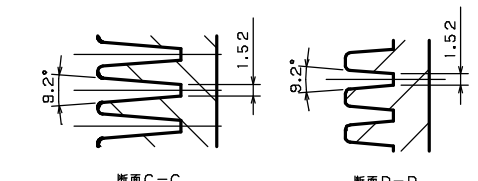
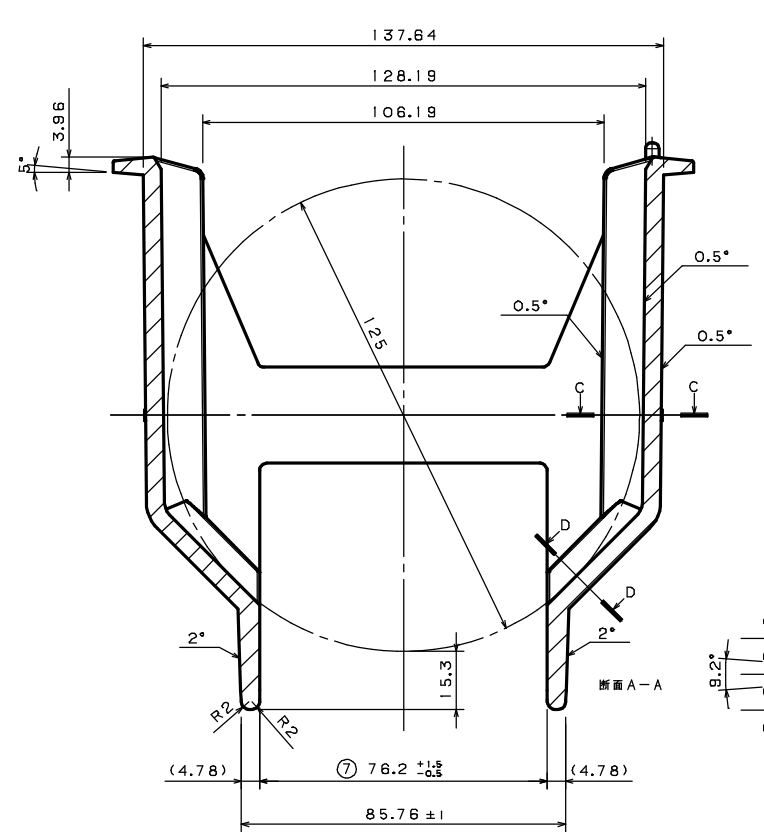
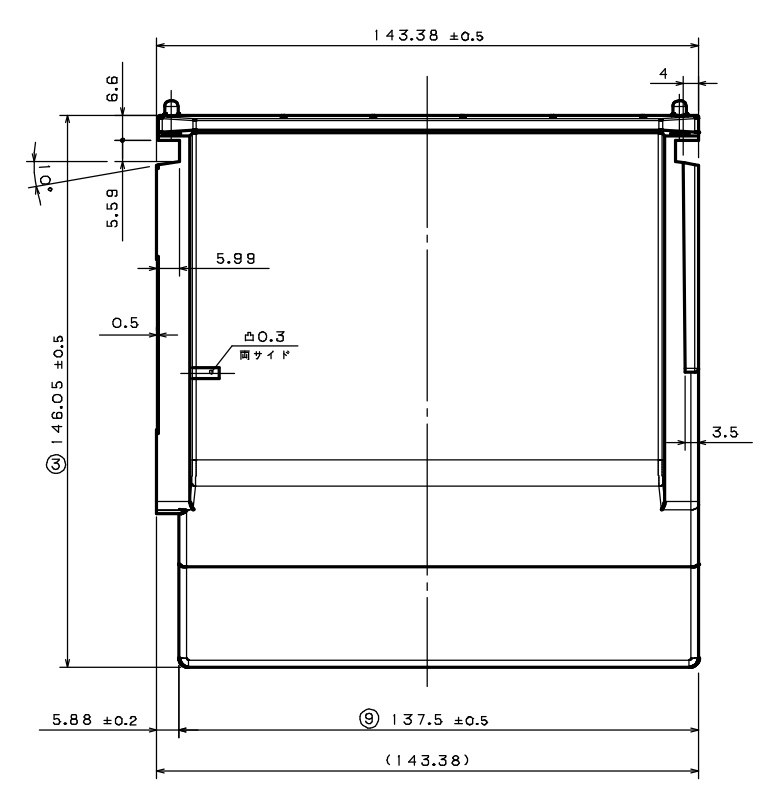
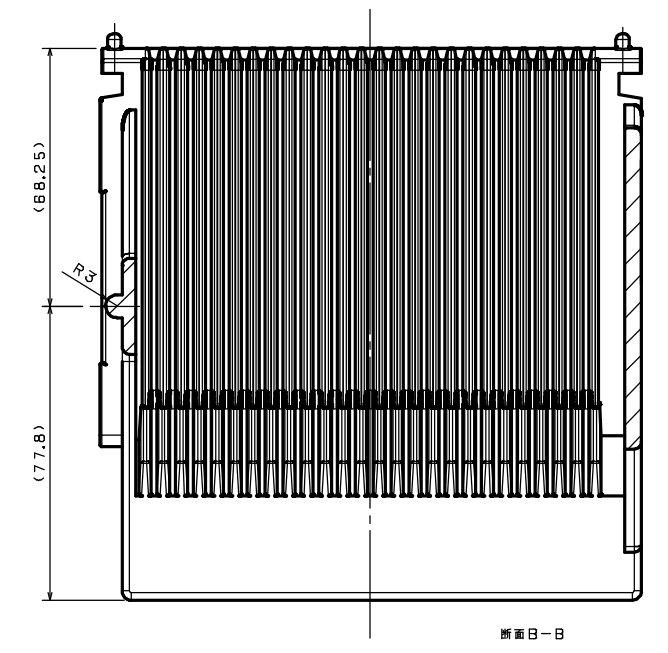
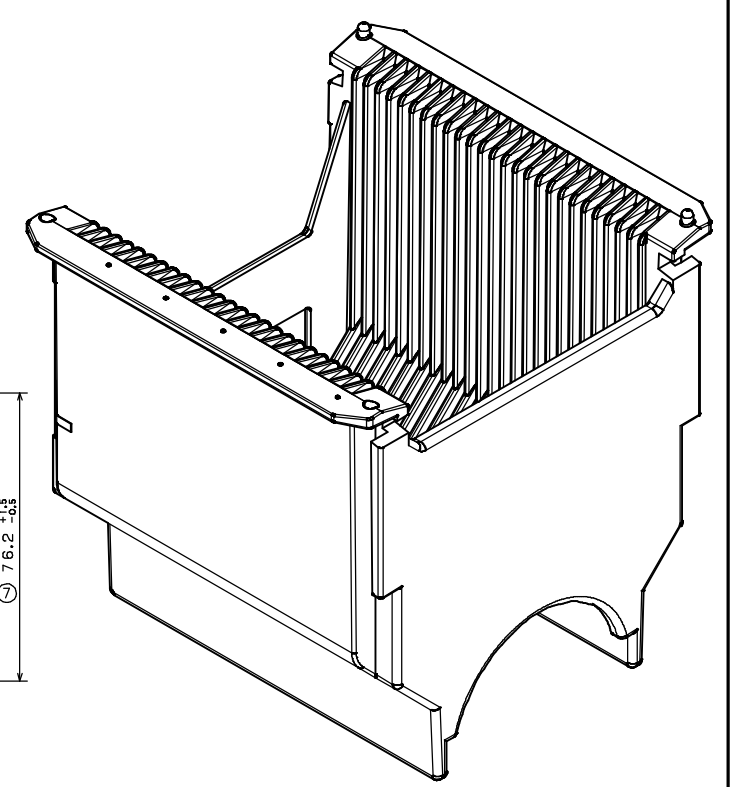
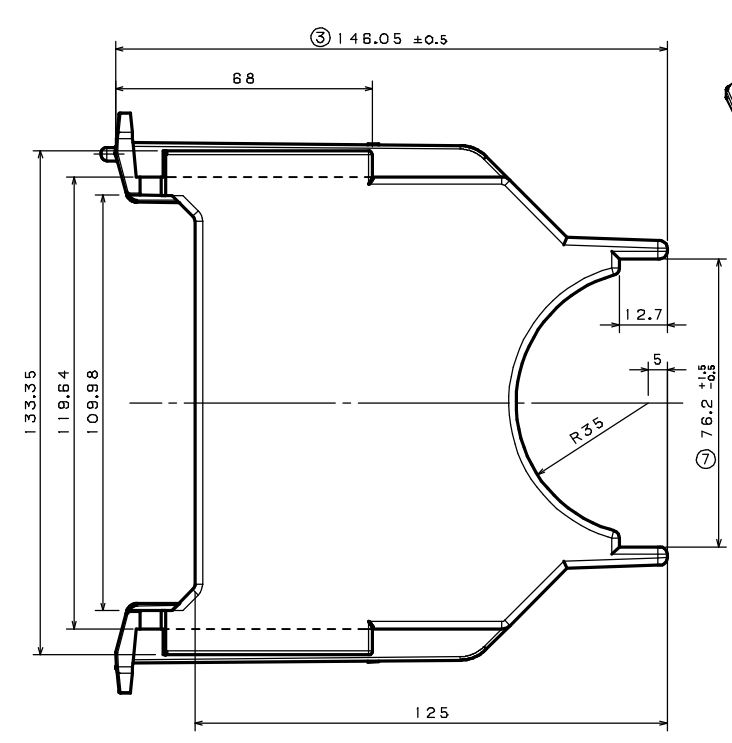
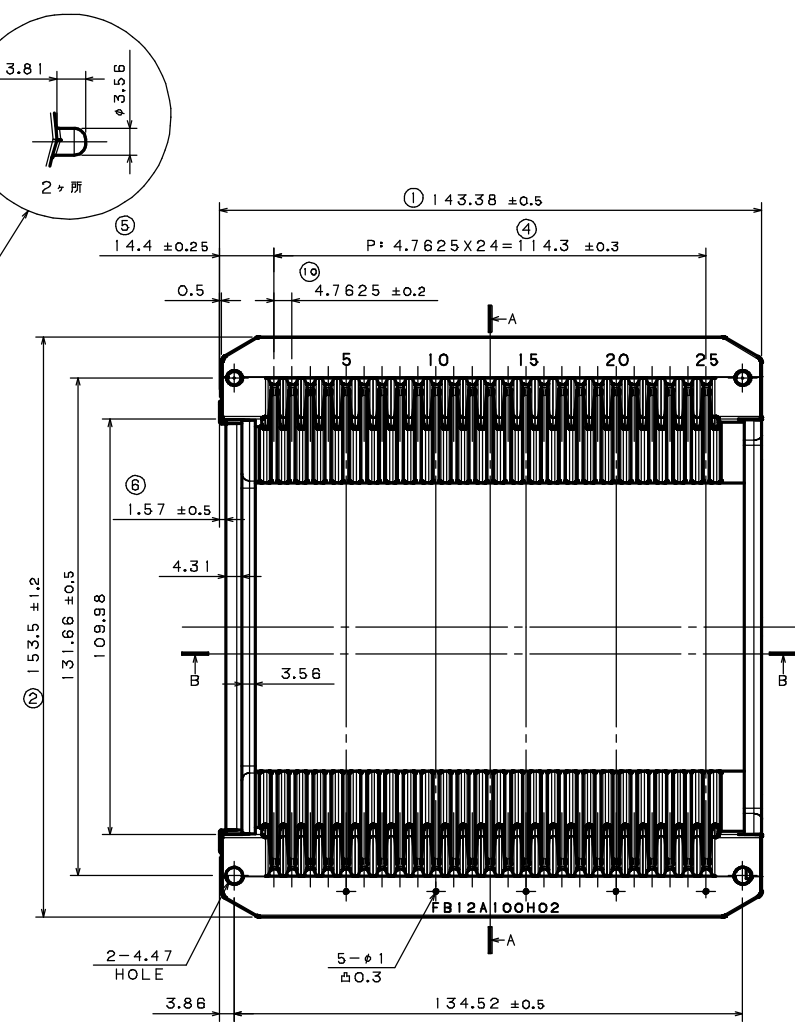
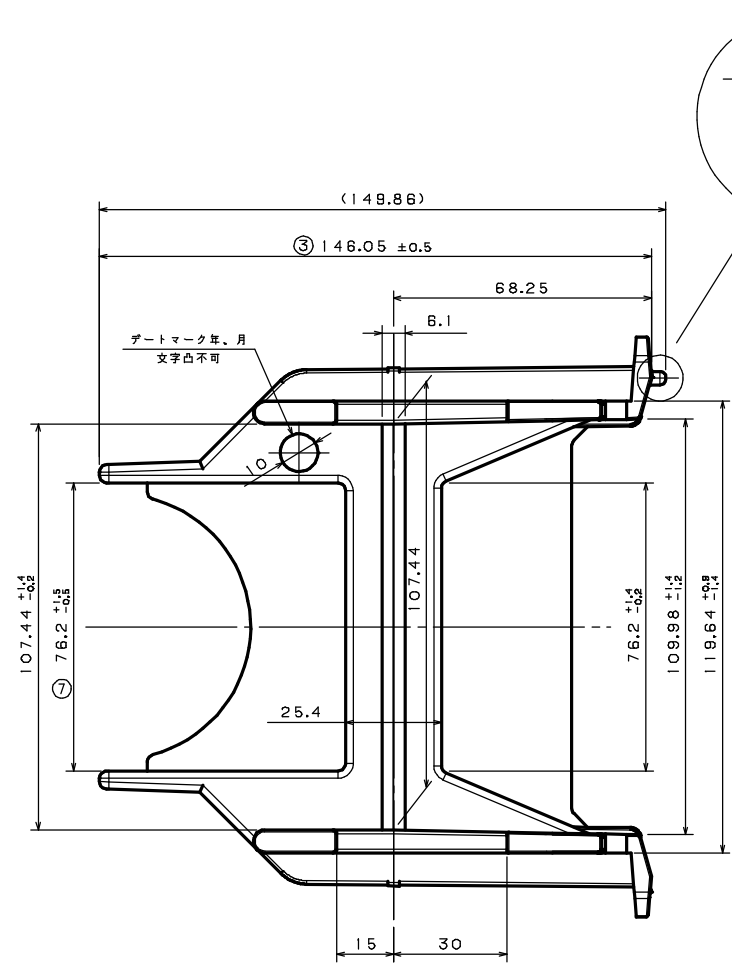


ITEM	MATERIAL	COLOR	REMARKS	ASSY NO
1	e-mateX FB-0431	BLACK		



図面に記載されてある各寸法は、お客様の内部確認として利用して下さい。  
EACH DIMENSION THAT IS MENTIONED ON A DRAWING SHOULD BE UTILIZED AS A CUSTOMER'S INTERNAL CONFIRMATION.

PRODUCT NUMBER	PRODUCT NAME
FB12A100	5 INCH CARRIER
3RD ANGLE PROJECTION	SCALE
	DRAWING NUMBER
	FSZ0013H02