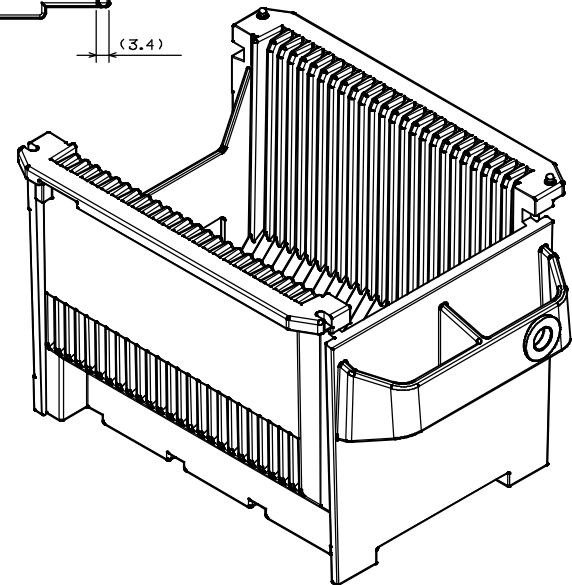
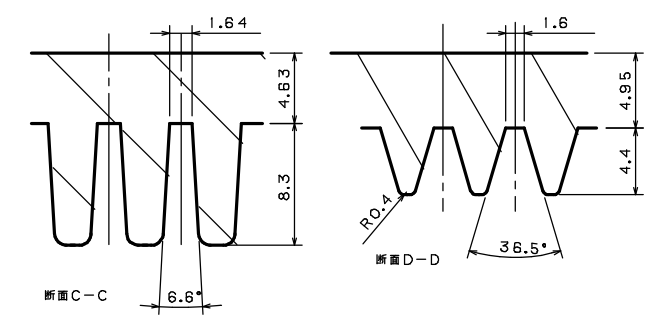
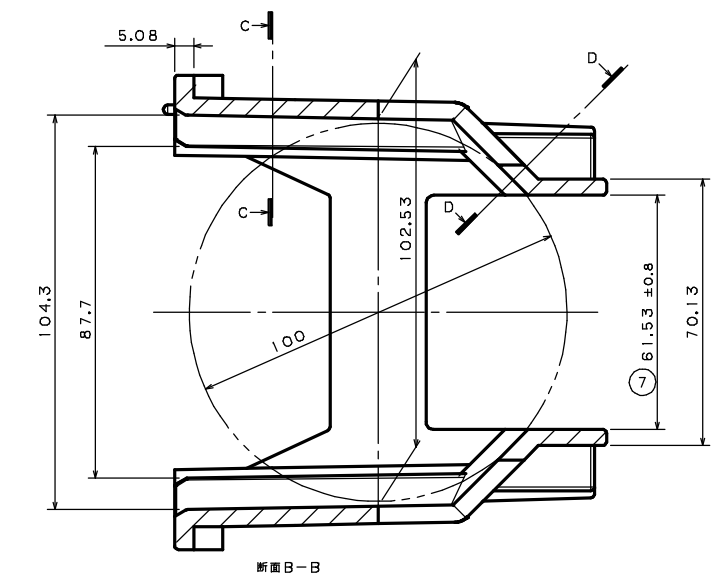
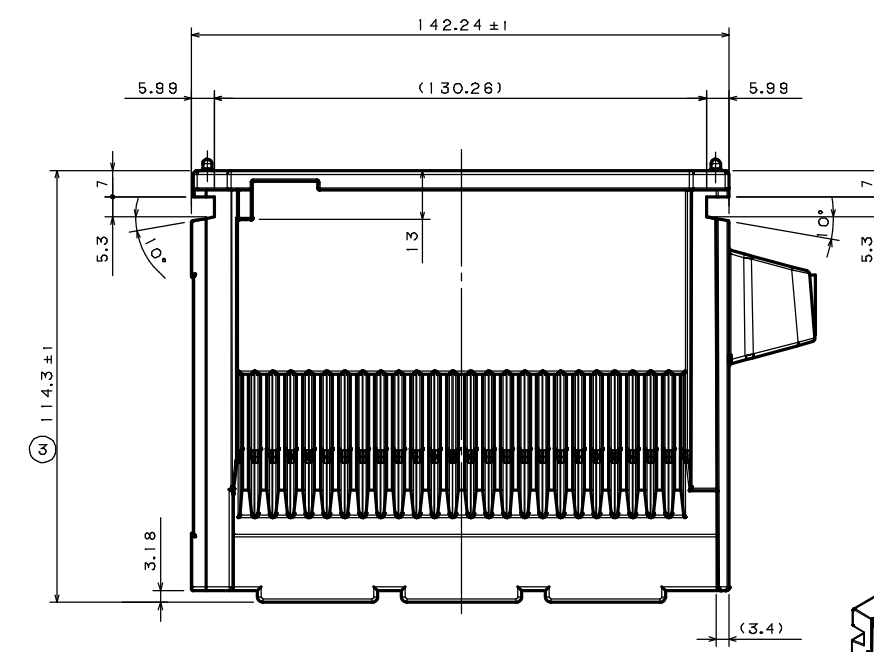
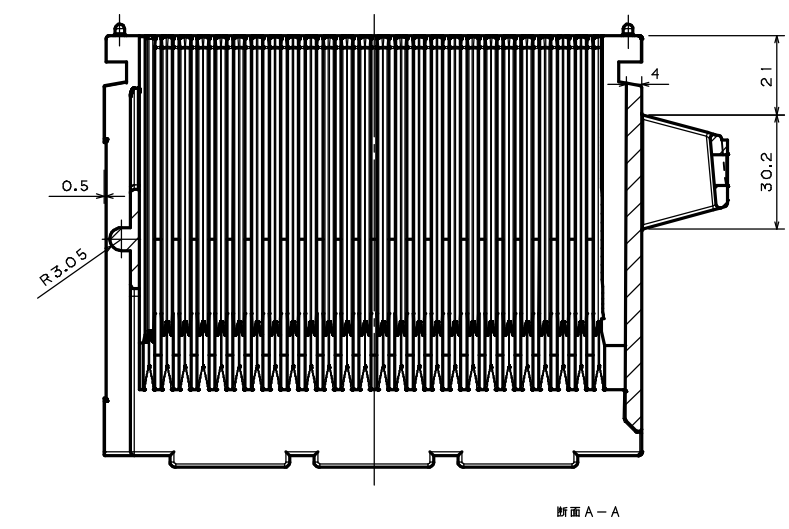
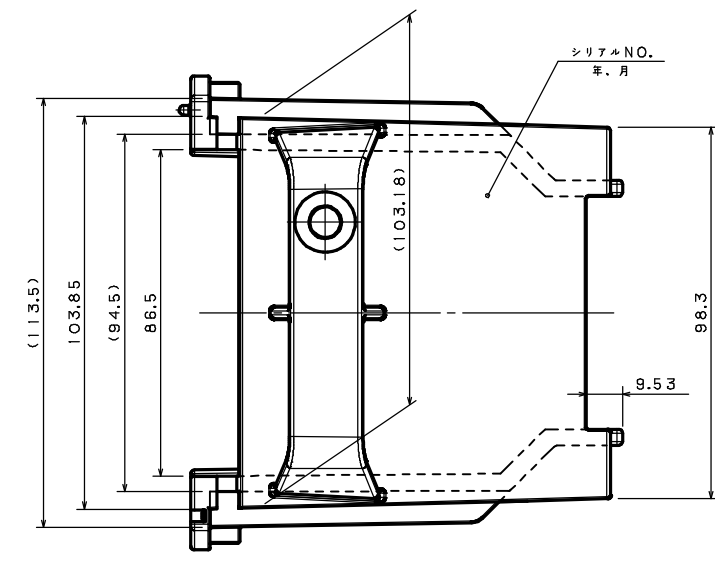
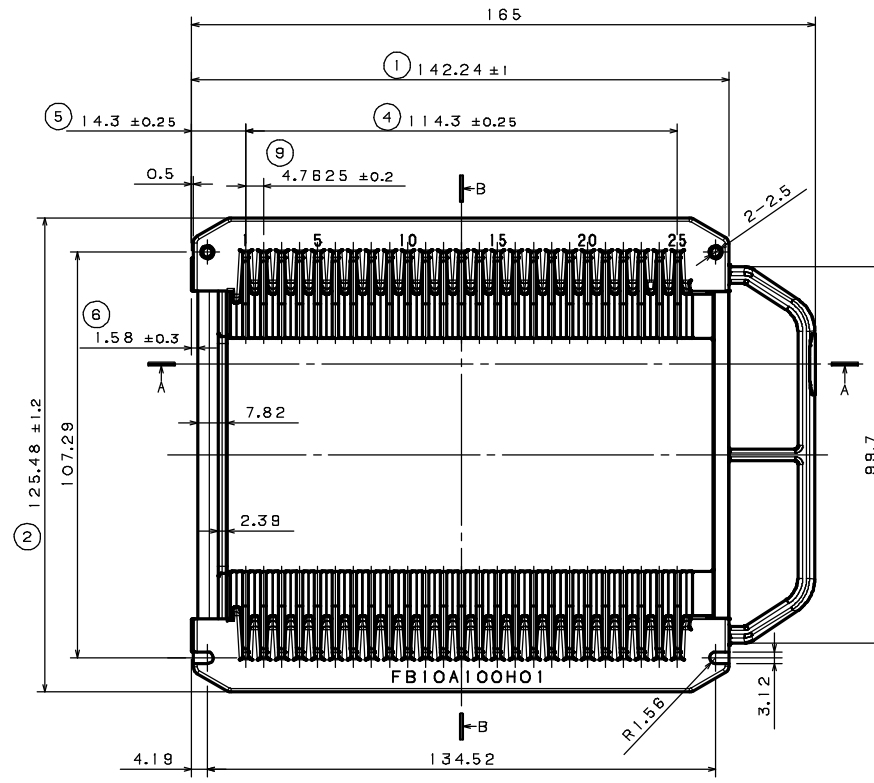
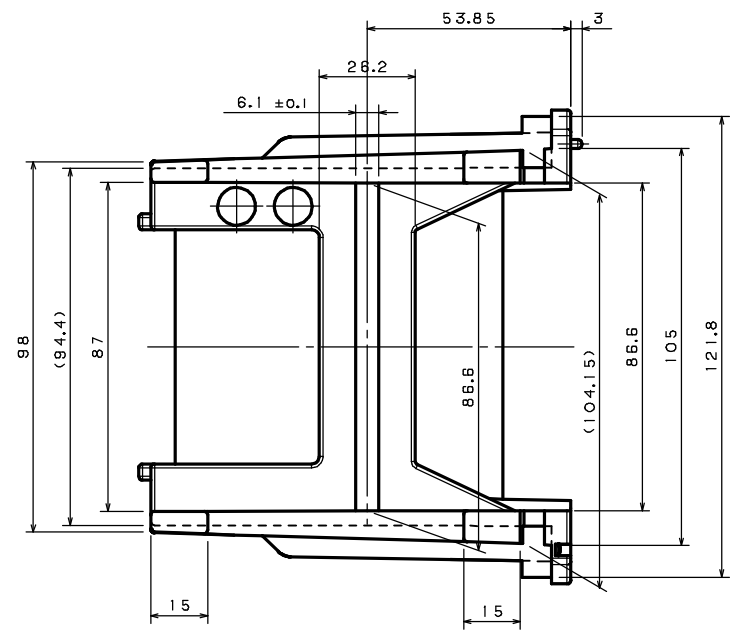


ITEM	MATERIAL	COLOR	REMARKS	ASSY NO.
HO 1	e-matex FB-0431	BLACK	ハンドル有り	

HO 1



図面に記載されてある各寸法は、お客様の内部確認として利用して下さい。
EACH DIMENSION THAT IS MENTIONED ON A DRAWING SHOULD BE UTILIZED AS A CUSTOMER'S INTERNAL CONFIRMATION.

PRODUCT NUMBER	PRODUCT NAME	
FB10A100	4 INCH CARRIER	
3RD ANGLE PROJECTION	SCALE	DRAWING NUMBER
	NTS	FSZ0019HO1