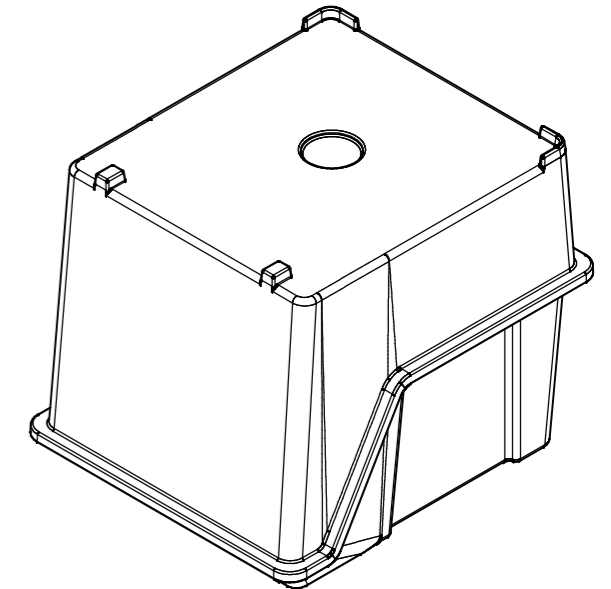
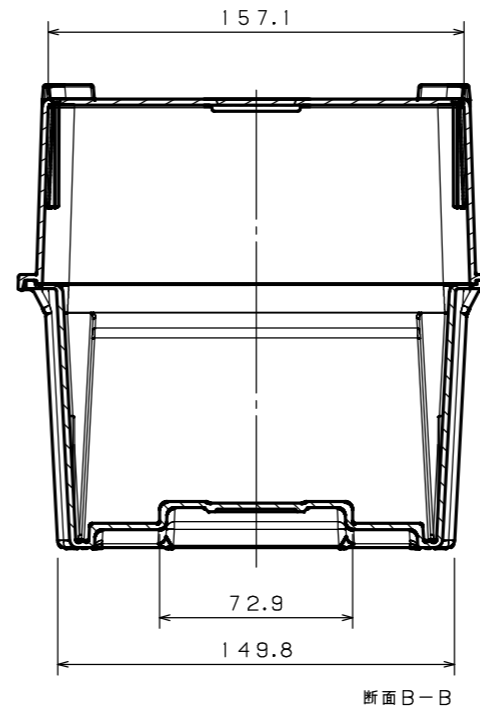
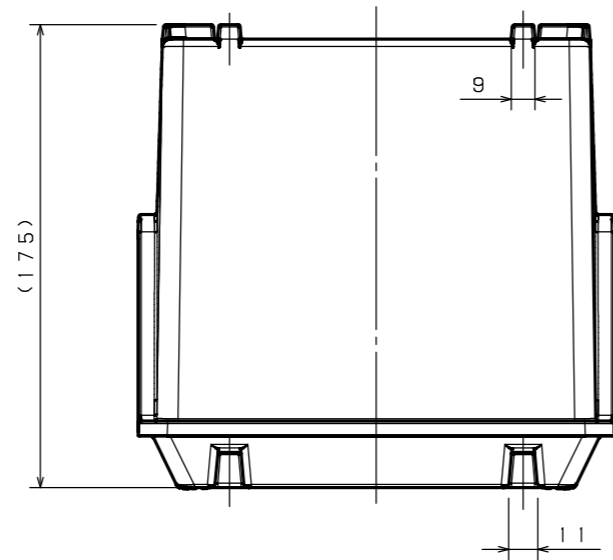
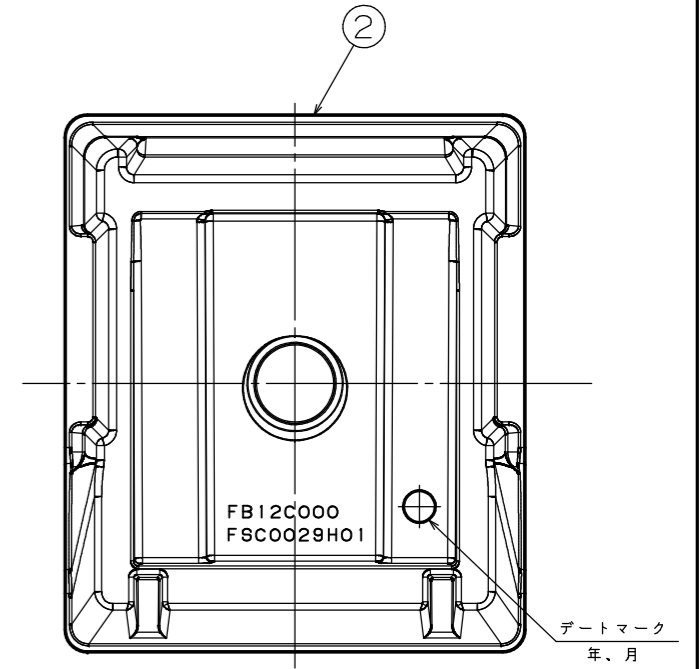
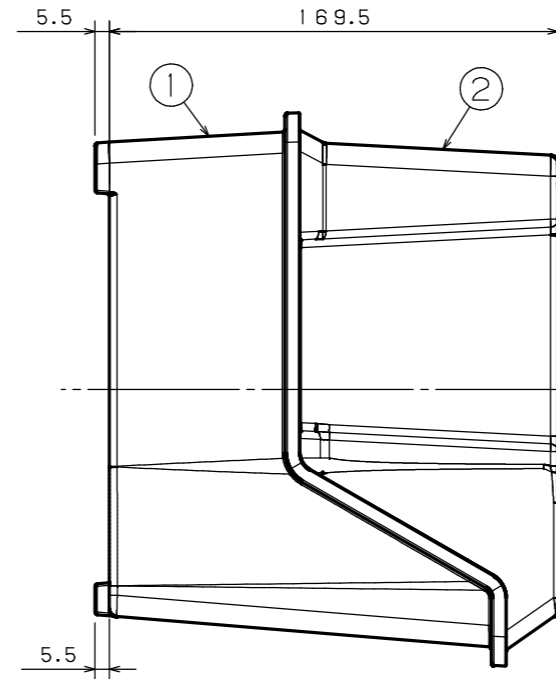
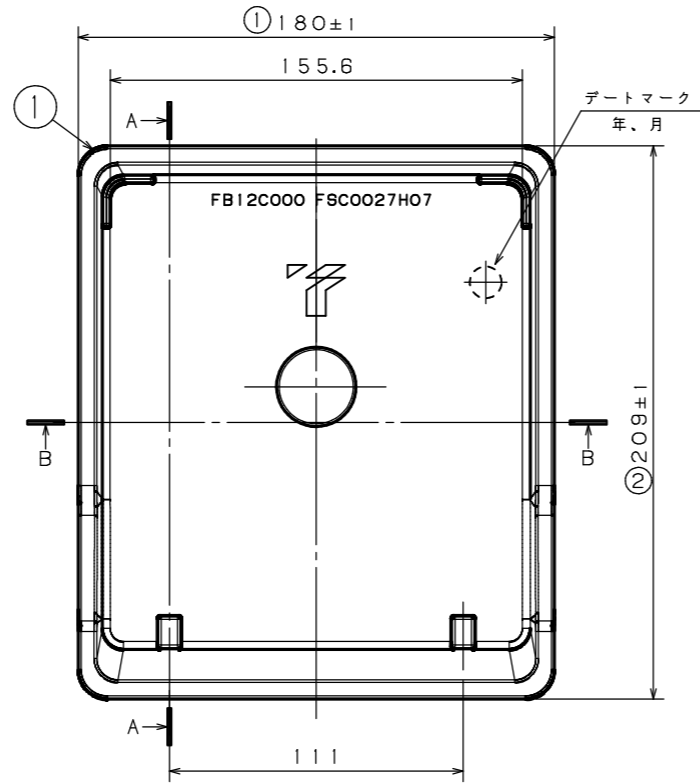
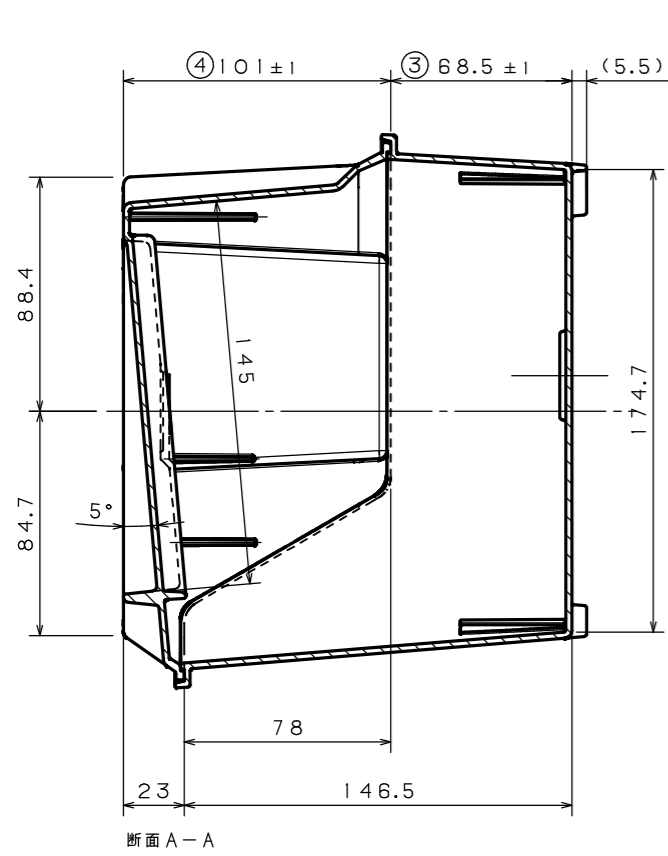


ITEM	COMPOSITION	MATERIAL	COLOR	REMARKS	ASSY NO
1	5 INCH CASE COVER	e-mateX FB-0215	CLEAR BLUE		1
2	5 INCH CASE BODY	e-mateX FB-0530	BLACK		1



図面に記載されてある各寸法は、お客様の内部確認として利用して下さい。
 EACH DIMENSION THAT IS MENTIONED ON A DRAWING SHOULD BE UTILIZED AS A CUSTOMER'S INTERNAL CONFIRMATION.

PRODUCT NUMBER	PRODUCT NAME
FB12C000	5 INCH CASE ASSY
3RD ANGLE PROJECTION	SCALE
	1/2
DRAWING NUMBER	
FSZ0012G07	